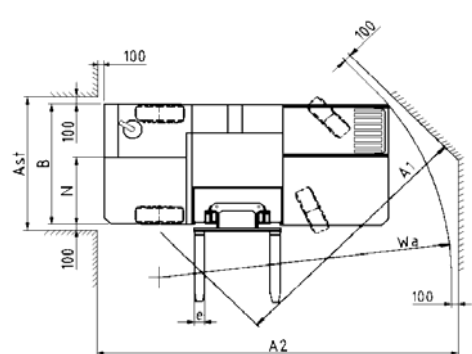
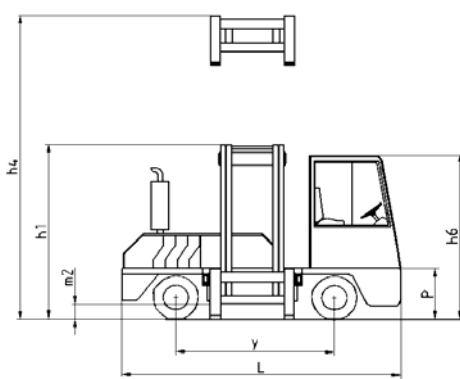
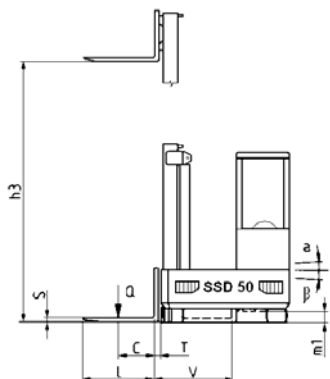


RECORD SSD		SPECIFICATION VDI 2198						
Characteristics	1	Manufacturer	BALKANCAR RECORD					
	2	Type	DIEZEL SIDE LOADER			DV 1788.40 SSD	DV 1794.40 SSD	DV 1798.40 SSD
	3	Load capacity	Q		kg	3000	4000	5000
	4	Load center	C	Load center to fork face	mm	700 (600)		
	5	Drive unit	Battery/diesel/LPG			Diesel		
	6	Type of operation	Pedestrian/rider seated/stand-on			Rider seated		
	7	Tyres	L – pneumatic; SE – superelastic			L/L (SE/SE)		
	8	Wheels (x–driven)	Number, front/rear			2 / 2 x		
Dimensions	9	Lift	h_3	Lift height	mm	4000		
	10		h_2	Free lift	mm	60		
	11	Fork carriage	According to DIN 15137			3B		4B
	12	Fork dimensions	s/e/l	Thickness/width/length	mm	45x150x1400 (1200)		50x150x1400 (1200)
	13	Tilt angle	α/β	Forward/backward	(°)	4°±1° / 4°±1°		
	14	Overall dimensions	L_2	Length	mm	4000		
	15		B	Width	mm	2100		
	16		h_1	Height, mast lowered	mm	2800		
	17		h_4	Height, mast extended	mm	4800		
	18		h_6	Height of overhead guard	mm	2500		
	19		P	Platform height	mm	800		
	20		N	Platform width	mm	1400		
	21	Turning radius	Wa	Outer radius	mm	4000		
	22	Расстояние до груза	T	Fork face standout	mm	120		
23	Ход мачты	V	Traverse stroke	mm	1500 (1300)			
24	Aisle width	A_1		mm	4000			
		A_2		mm	5250			
		A_{st}		mm	2300			
Performance	25	Speed		Travel with load/without load	km/h	18 / 20		
	26			Lifting with load/without load	m/s	0,3 / 0,4		
	27			Lowering with load/without load	m/s	0,5 / 0,4		
	28			Travel with load/without load	m/s	0,25 / 0,30		
	29	Rated drawbar pull		With load	kN	25		
	30	Climbing ability		With load/without load	%	20 / 24	18 / 22	16 / 20
Weight	31	Weight		Including battery acc. to ISO5053–87	kg	6500	7000	7500
	32	Axle load		With load front/rear	kg	5000 / 4500	6000 / 5000	6500 / 6000
	33			Without load front/rear	kg	3300 / 3200	3600 / 3400	3900 / 3600
Chassis	34	Tyres		Number, front/rear		2 / 2		
	35			Size, front		8,15-15		
	36			Size, rear		8,15-15		
	37	Wheelbase	Y		mm	2050		
	38	Track width		Front/rear	mm	1400/1500		
	39	Ground clearance	m_1	Lowest point with load	mm	200		
	40		m_2	Center of wheelbase with load	mm	200		
	41	Service brake		Mech./hydr./pneum./combined		Hydraulic		
	42	Parking brake		Hand/foot		Hand		
	Drive	43	Battery		Type		Starter	
44				Voltage/rated capacity	V/Ah	12/88		
45		Internal combustion engine		Manufacturer, type (diesel/LPG)		DEUTZ D 2011 L04W		
46				Engine performance to DIN 70020	kW	47,5		
47				Rated speed to DIN70020	min ⁻¹	2600		
48				Number of cylinders/displacement	cm ³	4/3620		
49				Fuel consumption	l/h	3,5 (diesel)		
50	Трансмиссия		Type, speeds (forward/backward)		Hydrodynamic – PST2"Гразано", 2/2			
51	Noise level		Average value at operator's ear	DB(A)	80			



RECORD SSD		ТЕХНИЧЕСКИЕ ХАРАКТЕРИСТИКИ ПО VDI 2198						
Characteristics	1	Manufacturer	BALKANCAR RECORD					
	2	Type	ELECTRIC SIDE LOADER			ER30.40 SSD	ER40.40 SSD	ER50.40 SSD
	3	Load capacity	Q		kg	3000	4000	5000
	4	Load center	C	Load center to fork face	mm	700 (600)		
	5	Drive unit	Battery/diesel/LPG					
	6	Type of operation	Pedestrian/rider seated/stand-on					
	7	Tyres	L – pneumatic; SE – superelastic					
	8	Wheels (x–driven)	Number, front/rear					
Dimensions	9	Lift	h_3	Lift height	mm	4000		
	10		h_2	Free lift	mm	60		
	11	Fork carriage	According to DIN 15137			3B		4B
	12	Fork dimensions	s/e/l	Thickness/width/length	mm	45x150x1400 (1200)		50x150x1400 (1200)
	13	Tilt angle	α/β	Forward/backward	(°)	4°±1° / 4°±1°		
	14	Overall dimensions	L_2	Length	mm	4000		
	15		B	Width	mm	2100		
	16		h_1	Height, mast lowered	mm	2800		
	17		h_4	Height, mast extended	mm	4800		
	18		h_6	Height of overhead guard	mm	2500		
	19		P	Platform height	mm	800		
	20		N	Platform width	mm	1400		
	21	Turning radius	Wa	Outer radius	mm	4000		
	22	Расстояние до груза	T	Fork face standout	mm	120		
23	Ход мачты	V	Traverse stroke	mm	1500 (1300)			
24	Aisle width	A_1		mm	4000			
		A_2		mm	5250			
		A_{st}		mm	2300			
Performance	Speed		Travel with load/without load	km/h	15 / 16			
			Lifting with load/without load	m/s	0,3 / 0,4			
			Lowering with load/without load	m/s	0,5 / 0,4			
			Travel with load/without load	m/s	0,25 / 0,30			
29	Rated drawbar pull		With load	kN	2,5			
30	Climbing ability		With load/without load	%	15 / 22	13 / 20	10 / 18	
Weight	31	Weight		Including battery acc. to ISO5053–87	kg	6600	7100	7600
	32	Axle load		With load front/rear	kg	5000 / 4600	6000 / 5100	6500 / 6100
				Without load front/rear	kg	3300 / 3300	3600 / 3500	3900 / 3700
Chassis	34	Tyres		Number, front/rear		2 / 2		
				Size, front		8,15-15		
				Size, rear		8,15-15		
	37	Wheelbase	Y		mm	2050		
	38	Track width		Front/rear	mm	1400/1500		
	39	Ground clearance	m_1	Lowest point with load	mm	200		
			m_2	Center of wheelbase with load	mm	200		
	41	Service brake	Mech./hydr./pneum./combined					
42	Parking brake	Hand/foot						
Drive	43	Battery		Type		Panzer		
				Voltage/rated capacity (after 5 hour of work)	V/Ah	80 / 480		
				Weight	kg	1350		
	46	Electric motors		Drive motor performance at $S_2 - 60$ min	kW	15		
				Lift motor performance at $S_4 - 25\%$	kW	16,8		
	48	Drive control	Type					
49	Transmission	Type						
50	Noise level	Average value at operator's ear				dB(A)	72	

