

RECORD 1S

SPECIFICATION VDI 2198

1		Manufacturer		BALKANCAR RECORD					
Characteristics	2	Type			DV1630.30.227S DV1630.30.327S ¹⁾	DV1632.30.227S DV1632.30.327S ¹⁾	DV1636.30.227S DV1636.30.327S ¹⁾	DV1638.30.227S DV1638.30.327S ¹⁾	
	3	Load capacity		Q	kg	1250	1500	1750	2000
	4	Load center		C	Load center to fork face		mm		
	5	Drive unit		Battery/diesel/LPG		Diesel			
	6	Type of operation		Pedestrian/rider seated/stand-on		Rider seated			
	7	Tyres		L – pneumatic; SE – superelastic		L/L (SE/SE)			
	8	Wheels (x–driven)		Number, front/rear		2x/2			
	Dimensions	9	Lift	h ₃	Lift height		mm		
10		h ₂		Free lift		mm			
11		h ₅		Extended free lift		mm			
12		Fork carriage		According to DIN 15137		2A			
13		Fork dimensions		s/e/l		Thickness/width/length			
14		Tilt angle		α/β		Forward/backward			
15		Overall dimensions	L ₂	Length		mm			
16			B	Width		mm			
17			h ₁	Height, mast lowered		mm			
18			h ₄	Height, mast extended		mm			
19			h ₆	Height of overhead guard		mm			
20			h ₇	Height of seat		mm			
21			Turning radius		Wa	Outer radius		mm	
22	Load distance		X	Front axle center to fork face		mm			
23	Aisle width		Ast ₄	For pallets 800x1200 For pallets 1000x1200		mm			
Performance	24	Speed	Travel with load/without load		km/h				
	25		Lifting with load/without load		m/s				
	26		Lowering with load/without load		m/s				
	27	Rated drawbar pull		With load		kN			
28	Climbing ability		With load/without load		%				
Weight	29	Weight		Including battery acc. to ISO 5053 – 87		kg			
	30	Axle load	With load front/rear		kg				
	31		Without load front/rear		kg				
Chassis	32	Tyres	Number, front/rear		2/2				
	33		Size, front		23x9-10				
	34		Size, rear		5,00-8				
	35	Wheelbase		Y	mm		1420		
	36	Track width		Front/rear		mm			
	37	Ground clearance	m ₁	Lowest point with load		mm			
	38		m ₂	Center of wheelbase with load		mm			
	39	Service brake		Mech./hydr./pneum./combined		Hydraulic			
	40	Parking brake		Hand/foot		Hand			
	Drive	41	Battery	Type		Starter			
42		Voltage/rated capacity		V/A h					
43		Weight		kg					
44		Internal combustion engine	Manufacturer, type (diesel/LPG)		DEUTZ D2011L03 / DEUTZ D2009L04 / KUBOTA V2403 ¹⁾				
45			Engine performance to DIN 70020		kW				
46			Rated speed to DIN70020		min ⁻¹				
47			Number of cylinders/displacement		cm ³				
48			Fuel consumption		l/h				
49			Transmission		Type, speeds (forward/backward)		Hydrodynamic 6861.2-05 S3, 1/1		
50		Clutch coupling		Type		Hydro transformer			
51	Working pressure		For attachments		MPa				
52	Noise level		Average value at operator's ear		dB(A)				

1) Reference data for forklift trucks with KUBOTA V2403 engine.

2) For other lift heights refer to MAST table.

Size h₄ does not include a load backrest. When a backrest is fitted add + 680 mm.

3) Recommended fork dimensions

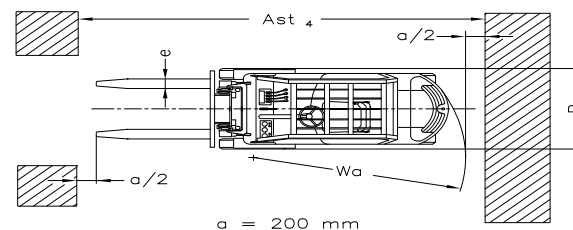
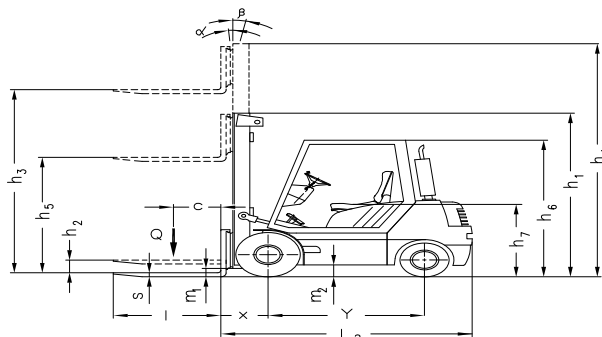
* Forklifts in accordance with BDS EN 1726-2

* Other variants of specifications and characteristics are possible.

* Dimensions and parameters as shown are for reference only. They have been obtained under laboratory testing conditions. They could vary in accordance with the operation mode and the corresponding variants.

* Balkancar Rekord JSC reserves the right to introduce changes to the specifications and products without notice.

* The pictures and illustrations do not include all variants produced, additional equipment and accessories.



MAST

TYPE	LIFT HEIGHT h_3	HEIGHT, MAST LOWERED h_1	HEIGHT, MAST EXTENDED h_4	FREE LIFT h_2/h_5
------	----------------------	----------------------------------	-----------------------------------	------------------------

SIMPLEX – 1,25/1,5/1,75/2,0 t FORKLIFT

(Two masts, Free lift)

30 S	3000	2080	3540	80
40 S	4000	2620	4555	130

DUPLEX – 1,25/1,5/1,75/2,0 t FORKLIFT

(Two masts, Extended free lift)

30 D	3000	2080	3580	1500
------	------	------	------	------

TRIPLEX – 1,25/1,5/1,75/2,0 t FORKLIFT

(Three masts, Extended free lift)

42 T	4200	2080	4790	1480
45 T	4500	2220	5220	1600
50 T	5000	2370	5670	1740
54 T	5400	2470	5990	1880